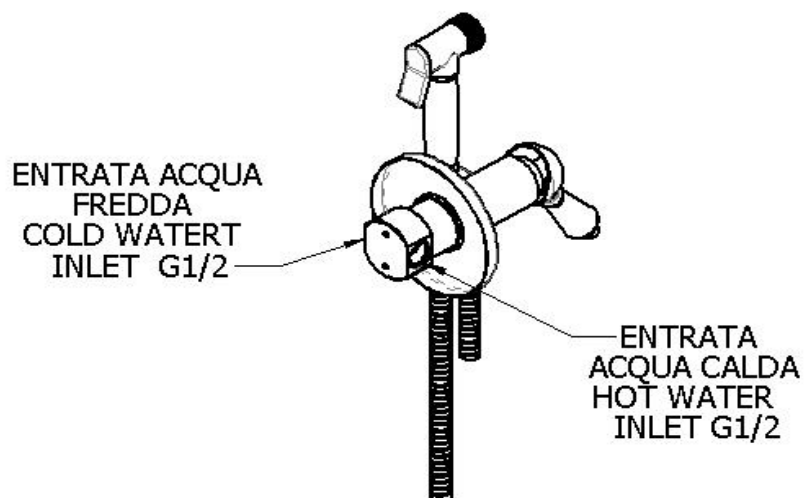
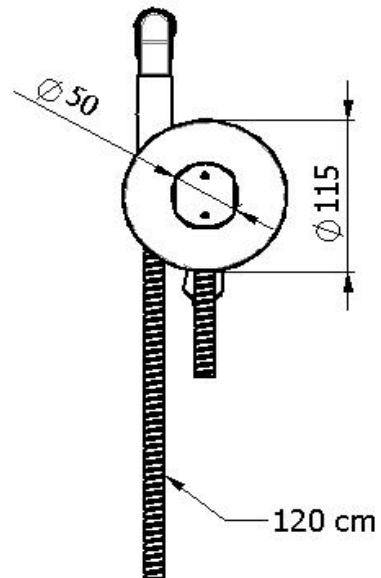
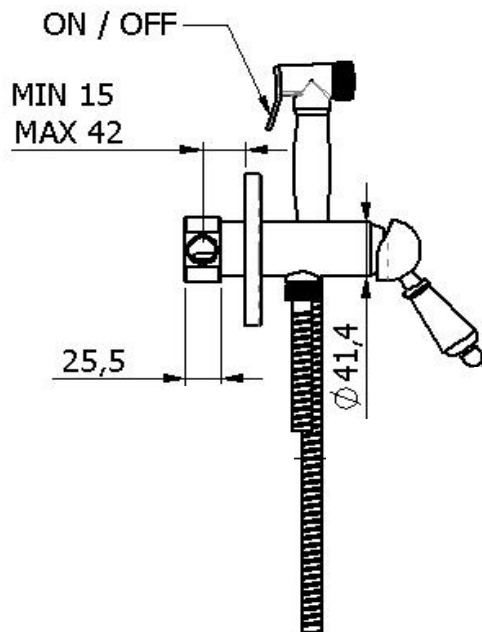


SCHEDA TECNICA TECHNICAL FEATURES

ART. COD.

RT645AUCR



**MATERIALI / MATERIALS**

OTTONE CROMATO / CHROME PLATED BRASS

**CROMATURA / CHROME PLATING**

UNI EN 248